

Trailer Wash - Internal

A fully automatic, high pressure robotic internal truck trailer and refrigerated bodied truck wash system.

Features

- Fully self-contained wash system
- Fully automatic operation
- Thoroughly cleans all internal body surfaces
- Removes internal debris
- Quick and easy installation
- Fully touchfree – water only contact
- Washes and sanitises all internal surfaces
- Very low cost
- Quick wash only 3 minutes
- Full wash and sanitising cycle only 6 minutes
- World leading wash equipment manufacturer

Benefits

- Wash water can be recycled
- Fast and automatic washing process
- Saves time and money
- The entire system is easily relocatable
- No solid contact with internal surfaces – only water
- Automatically removes debris during the wash cycle
- Hartex Preventative Maintenance Service protection
- Creates more “on-road” time for trucks and fleets
- Releases wash staff for other tasks
- Eliminates health and safety issues from alternative hand washing practices

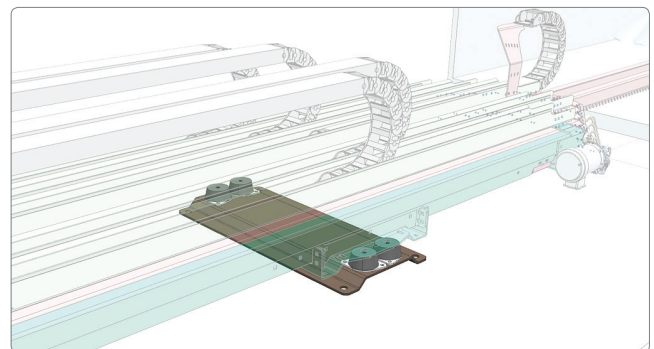
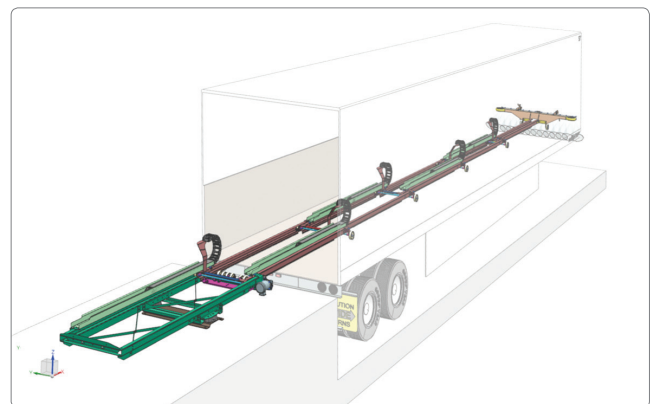
Washes Per Day

Truck Trailer/Refrigerated (10 hour shift)

Full Wash with Sanitising	up to 75 washes/trucks per day
Quick Wash without Sanitising	up to 100 washes/trucks per day

Shipping Containers (10 hour shift) with automated handling system

Full Wash with Sanitising	up to 85 washes/containers per day
Quick Wash without Sanitising	up to 120 washes/containers per day





Washing Systems

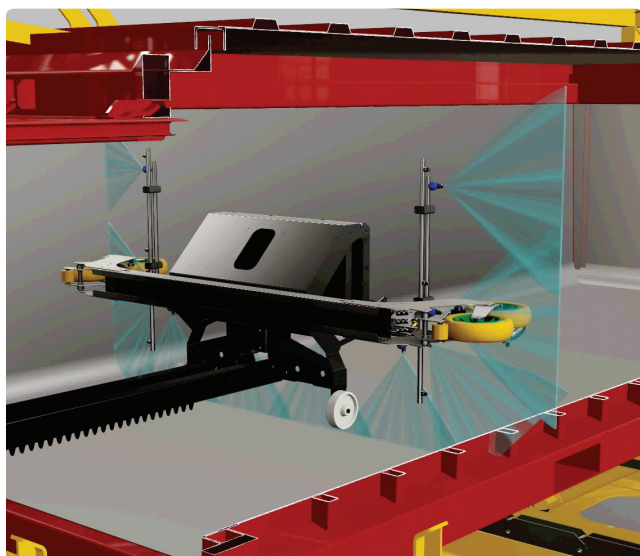
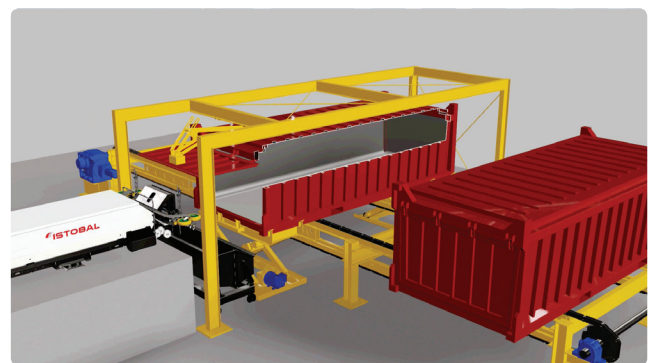
Container Wash - Internal
Trailer Wash - Internal

Container Wash - Internal

Fully automatic, high volume automated internal shipping container wash system

Features

- Fully self-contained container wash system
- 20' and 40' container capability
- Fully automatic operation
- Optional automatic container handling system
- Thoroughly cleans all internal container surfaces including doors
- Removes internal debris
- Fully touchfree – water only contact
- Washes and sanitises all internal surfaces on selectable cycle
- Very low cost wash
- Quick wash only 3 minutes
- Full wash and sanitising cycle only 6 minutes
- World leading wash equipment manufacturer



Benefits

- Wash water can be recycled
- Fast and automatic washing process
- Saves considerable time and money
- The entire wash system is relocatable
- No solid contact with internal surfaces – only water
- Automatically removes debris during the wash cycle
- Hartex Preventative Maintenance Service protection
- Releases wash staff for other tasks
- Eliminates health and safety issues from alternative hand washing practices
- Increases productivity and container availability

Washes Per Day

Truck Trailer/Refrigerated (10 hour shift)

Full Wash with Sanitising	up to 75 washes/trucks per day
Quick Wash without Sanitising	up to 100 washes/trucks per day

Shipping Containers (10 hour shift) with automated handling system

Full Wash with Sanitising	up to 85 washes/containers per day
Quick Wash without Sanitising	up to 120 washes/containers per day